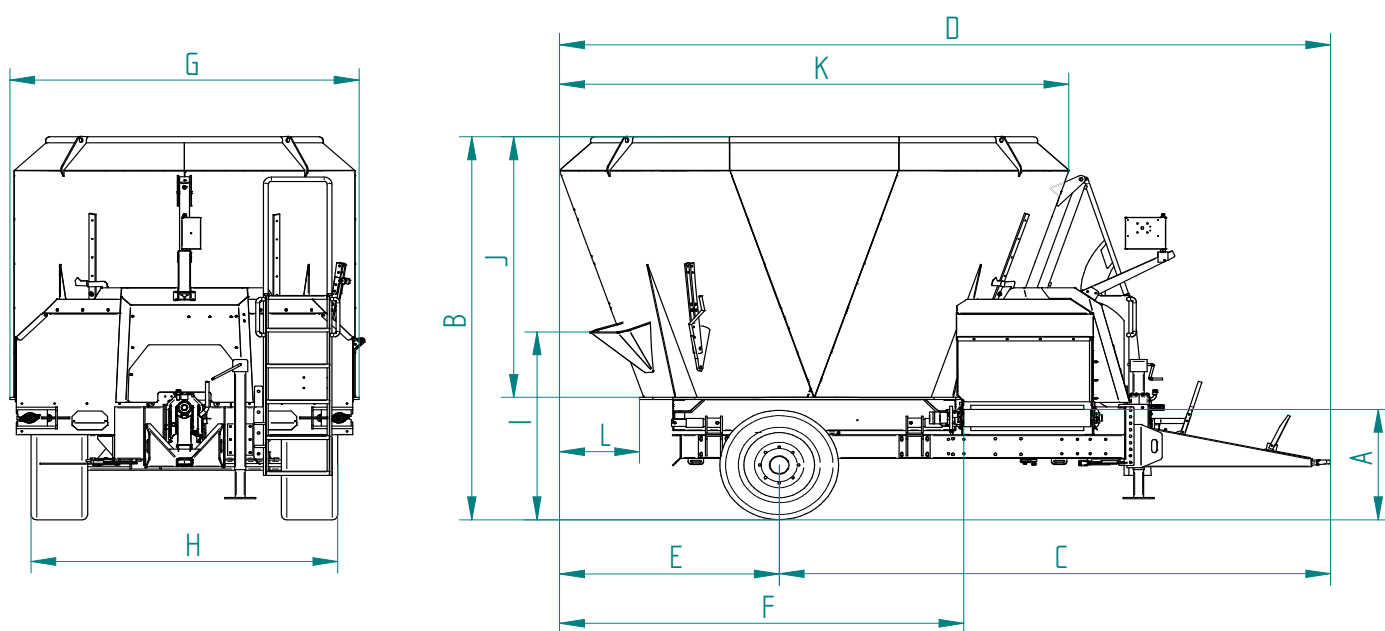


Technical Characteristics

		MVV 8 NC	MVV 9 NC	MVV 10 NC	MVV 12 NC	MVV 15 NC	MVV 17 NC	MVV 20 NC	MVV 15 TNC	MVV 17 TNC	MVV 20 TNC
A	Discharge height	0.69 m	0.80 m	0.80 m	0.83 m	0.82 m	0.82 m	0.82 m	0.91 m	0.91 m	0.91 m
B	Overall height	2.47 m	2.69 m	2.89 m	3.11 m	2.60 m	2.70 m	2.90 m	2.69 m	2.79 m	2.99 m
C	Wheel base	3.95 m	3.95 m	3.95 m	3.95 m	4.27 m	4.27 m	4.27 m	4.27 m	4.27 m	4.27 m
D	Overall length	5.27 m	5.31 m	5.37 m	5.44 m	7.45 m	7.49 m	7.55 m	7.45 m	7.49 m	7.55 m
E	Rear overhang	1.31 m	1.34 m	1.41 m	1.48 m	2.36 m	2.40 m	2.46 m	2.36 m	2.40 m	2.46 m
F	Useful discharge length	2.56 m	2.59 m	2.66 m	2.73 m	4.75 m	4.79 m	4.85 m	4.75 m	4.79 m	4.85 m
G	Overall width	2.40 m	2.40 m	2.40 m	2.40 m	2.40 m	2.40 m	2.40 m	2.40 m	2.40 m	2.40 m
H	Width at the wheels	2.00 m	2.00 m	2.00 m	2.00 m	2.37 m	2.37 m	2.37 m	1.96 m	1.96 m	1.96 m
J	Tub height	1.70 m	1.80 m	2.00 m	2.20 m	1.70 m	1.80 m	2.00 m	1.70 m	1.80 m	2.00 m
K	Tub length	3.20 m	3.27 m	3.41 m	3.53 m	5.44 m	5.47 m	5.60 m	5.44 m	5.47 m	5.60 m
L	Tub overhang	0.48 m	0.52 m	0.58 m	0.65 m	0.48 m	0.52 m	0.58 m	0.48 m	0.52 m	0.58 m



Equipment complies with safety standards.

We reserve the right to change our equipment and its characteristics at any time.